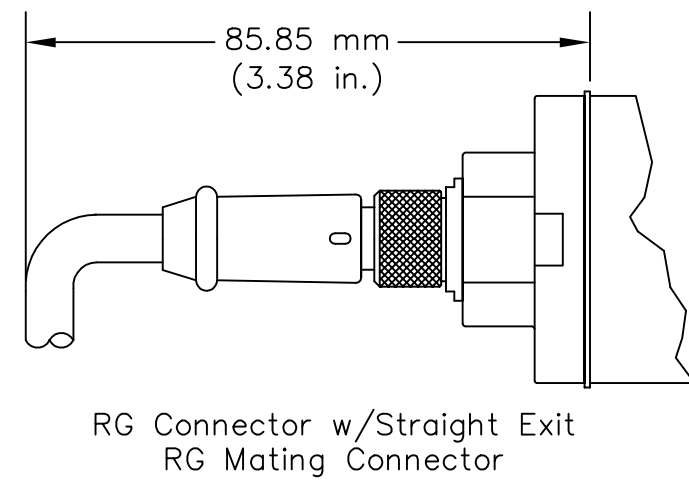
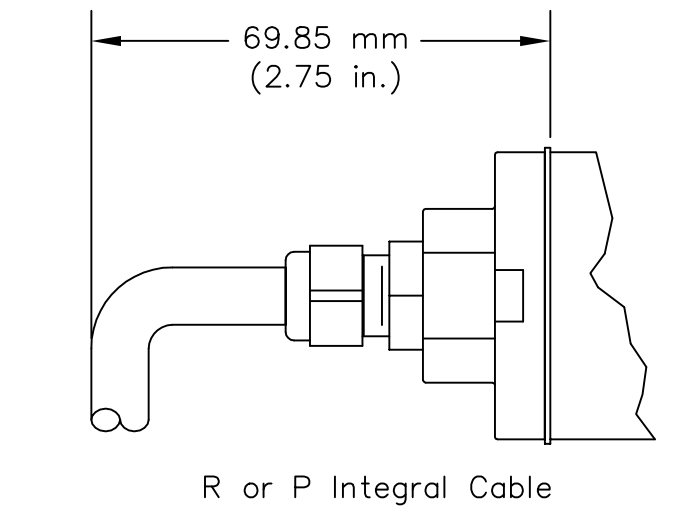
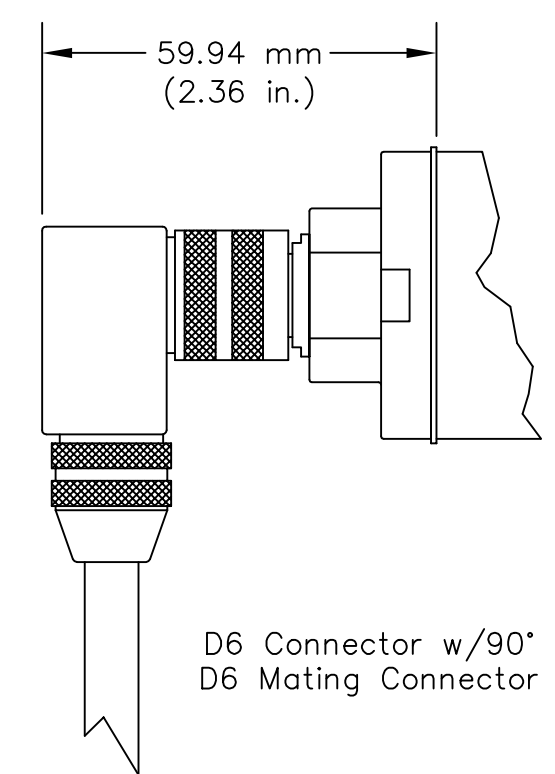
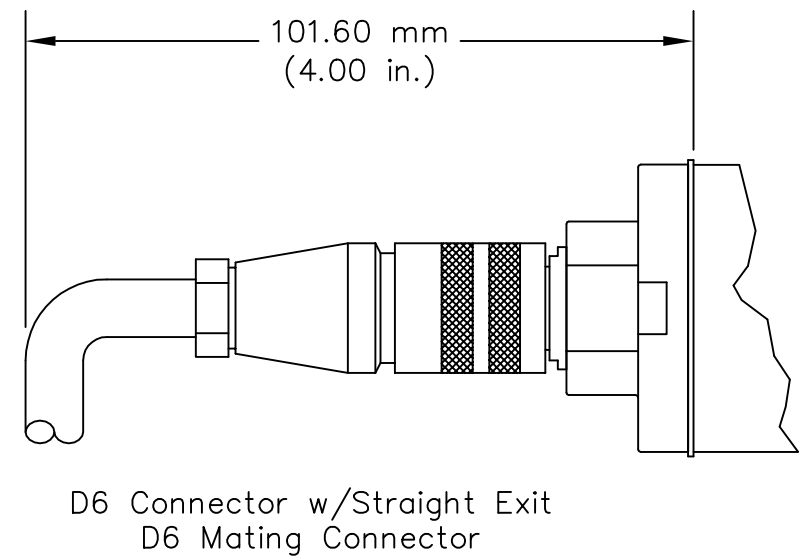
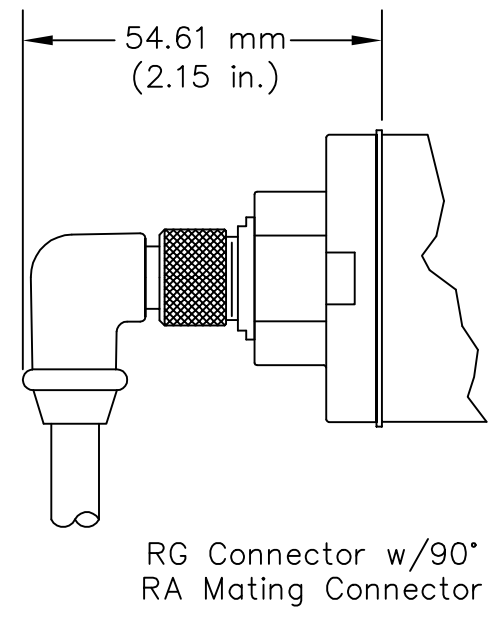
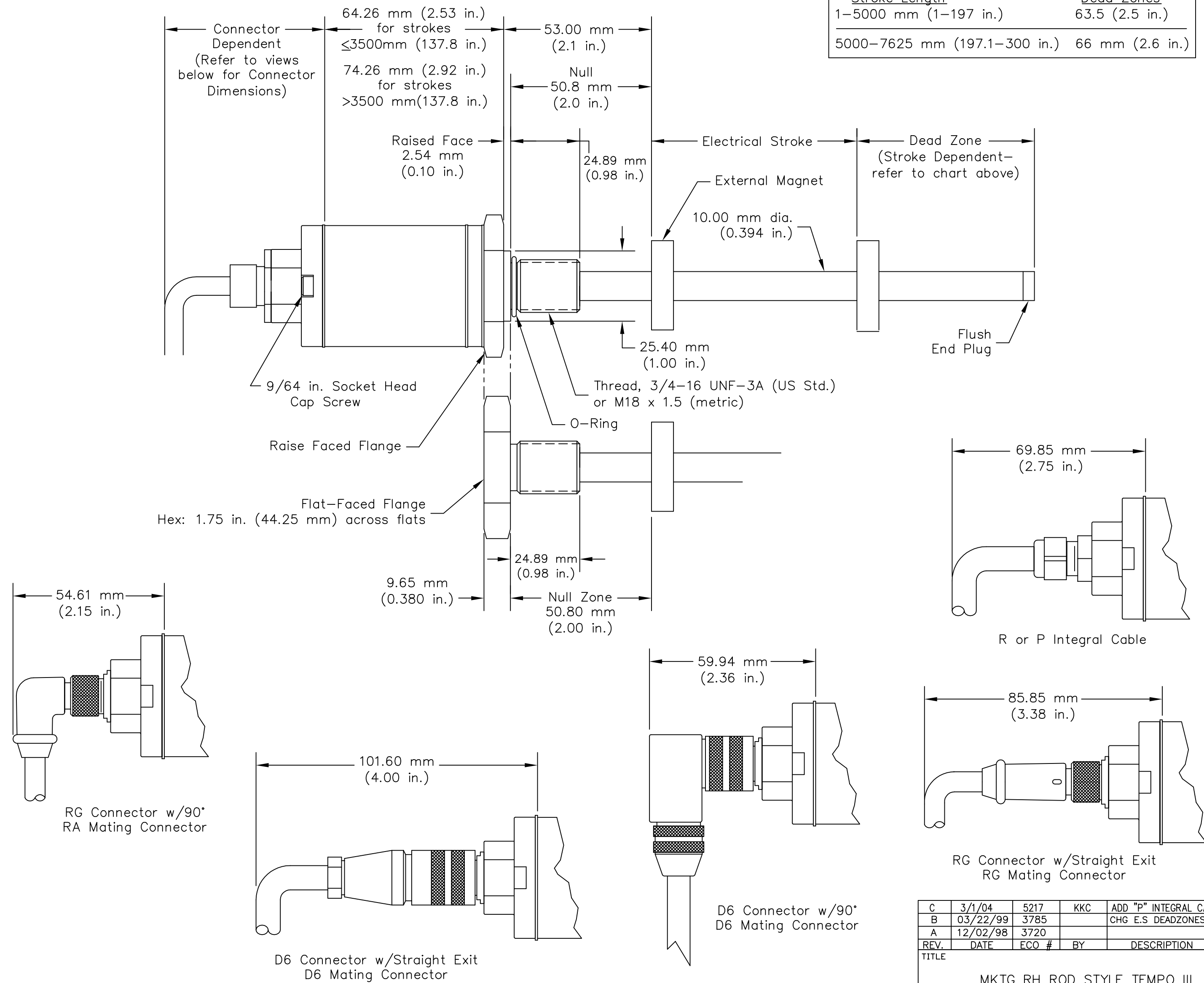


ROD-STYLE (MODEL RH):

Temposonics® sensors are a registered trademark of MTS Systems Corporation  
 © 1998 MTS Systems Corporation

Stroke-Dependent Dead Zones (RH Model)	
Stroke Length	Dead Zones
1-5000 mm (1-197 in.)	63.5 (2.5 in.)
5000-7625 mm (197.1-300 in.)	66 mm (2.6 in.)



C	3/1/04	5217	KKC	ADD "P" INTEGRAL CABLE
B	03/22/99	3785		CHG E.S DEADZONES
A	12/02/98	3720		
REV.	DATE	ECO #	BY	DESCRIPTION
TITLE				
MKTG RH ROD STYLE TEMPO III				
DWG NO.	901008	SHEET	1 OF 1	REV C