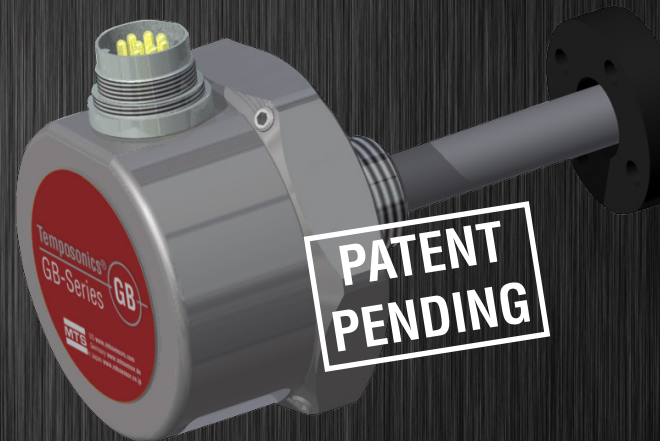


GB with threaded flange (GB-M / GB-T)

Product Brief – Preannouncement

- ▶ Sensor element and electronics can be changed
- ▶ Available with threaded flange M18×1.5 or ¾"-16 UNF
- ▶ Electrical connection is freely rotatable

Available from May 2016



The Temposonics® GB-M / GB-T sensors, designed to be incorporated into hydraulic cylinders, offer many user-adaptable features. The flat and compact sensor electronics housing has an electrical connection that can be rotated 360 degrees to easily achieve the necessary connection orientation. If needed, the sensor element and electronics can be replaced without interrupting the hydraulic circuit – resulting in lower maintenance costs and reduced downtime.

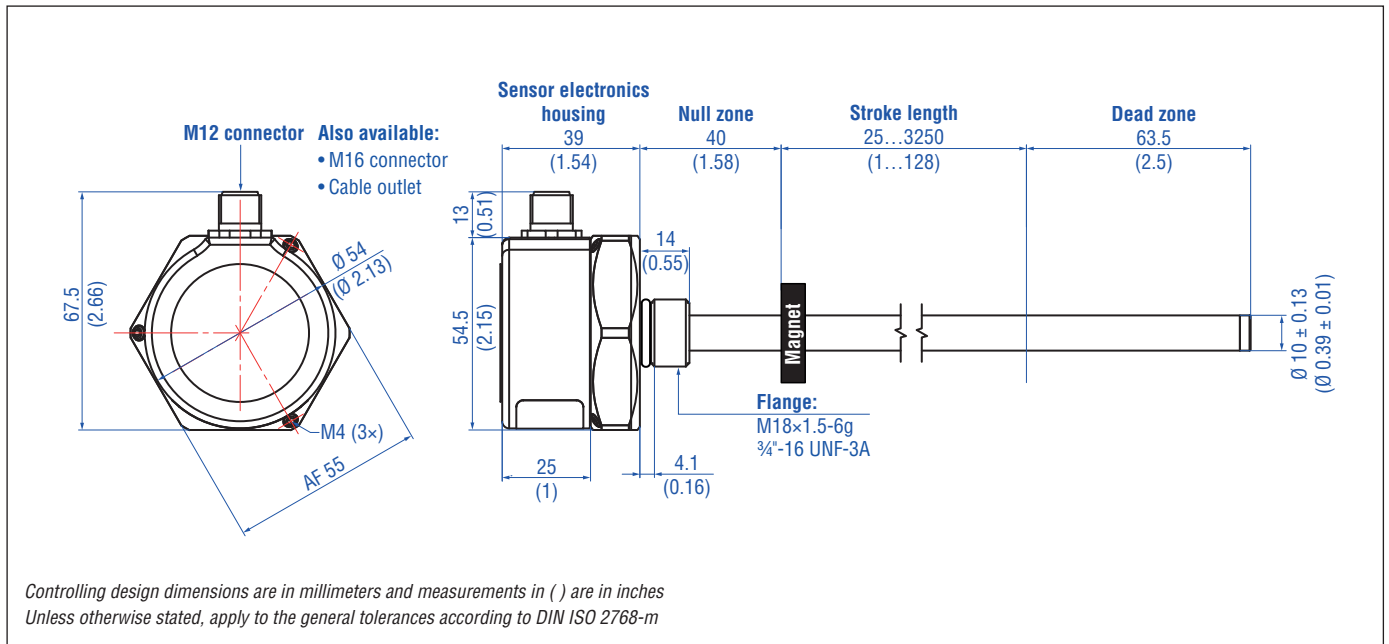
The GB-Series is highly resistant to external influences and features a high pressure resistant sensor rod, electronics with excellent immunity to EMI and an operating temperature up to +100 °C.

Integrated signal evaluation enables the sensor to automatically adapt to the strength of the magnet. The start position, end position and output value of the measurement range are programmable allowing users to adjust to meet the application requirements. GB sensors can be programmed via a wireless Bluetooth® connection, a computer with USB connection or a hand programmer. Output for data exchange is available in SSI and analog (current / voltage).

TYPICAL APPLICATIONS

Typical uses for GB sensors include steam turbines, valves for turbines and applications with limited space or high operating temperatures.

TECHNICAL DRAWING



Document Part Number:
 551833 Revision A (EN) 04/2016

LOCATIONS

USA
MTS Systems Corporation
Sensors Division
 3001 Sheldon Drive
 Cary, N.C. 27513, USA
 Tel. +1 919 677-0100
 Fax +1 919 677-0200
 info.us@mtssensors.com
 www.mtssensors.com

JAPAN
MTS Sensors Technology Corp.
 737 Aihara-machi,
 Machida-shi,
 Tokyo 194-0211, Japan
 Tel. +81 42 775-3838
 Fax +81 42 775-5512
 info.jp@mtssensors.com
 www.mtssensors.com

FRANCE
MTS Systems SAS
 Zone EUROPARC Bâtiment EXA 16
 16/18, rue Eugène Dupuis
 94046 Creteil, France
 Tel. +33 1 58 4390-28
 Fax +33 1 58 4390-03
 info.fr@mtssensors.com
 www.mtssensors.com

GERMANY
MTS Sensor Technologie
GmbH & Co. KG
 Auf dem Schüffel 9
 58513 Lüdenscheid, Germany
 Tel. +49 2351 9587-0
 Fax +49 2351 56491
 info.de@mtssensors.com
 www.mtssensors.com

CHINA
MTS Sensors
 Room 504, Huajing Commercial Center,
 No. 188, North Qinzhou Road
 200233 Shanghai, China
 Tel. +86 21 6485 5800
 Fax +86 21 6495 6329
 info.cn@mtssensors.com
 www.mtssensors.com

ITALY
MTS Systems Srl
Sensor Division
 Via Camillo Golgi, 5/7
 25064 Gussago (BS), Italy
 Tel. +39 030 988 3819
 Fax +39 030 982 3359
 info.it@mtssensors.com
 www.mtssensors.com

LEGAL NOTICES

MTS, Temposonics and Level Plus are registered trademarks of MTS Systems Corporation in the United States; MTS SENSORS and the MTS SENSORS logo are trademarks of MTS Systems Corporation within the United States. These trademarks may be protected in other countries. All other trademarks are the property of their respective owners. Copyright © 2016 MTS Systems Corporation. No license of any intellectual property rights is granted. MTS reserves the right to change the information within this document, change product designs, or withdraw products from availability for purchase without notice. Typographic and graphics errors or omissions are unintentional and subject to correction. Visit www.mtssensors.com for the latest product information.

ISO 9001
 CERTIFIED



Reg.-No. 003095-QM08

