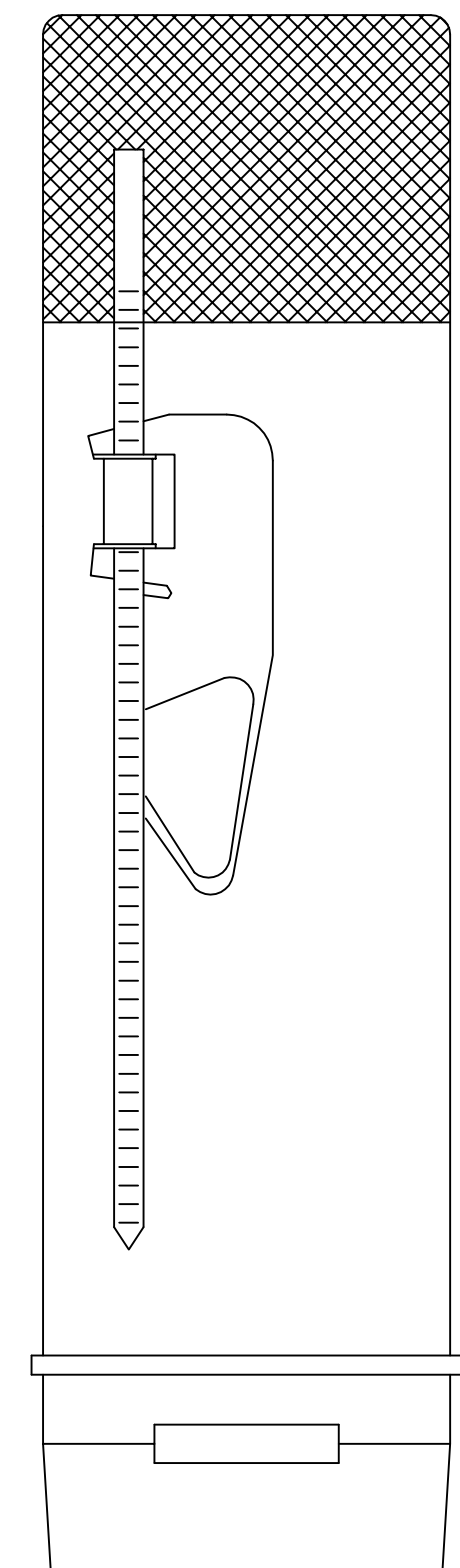
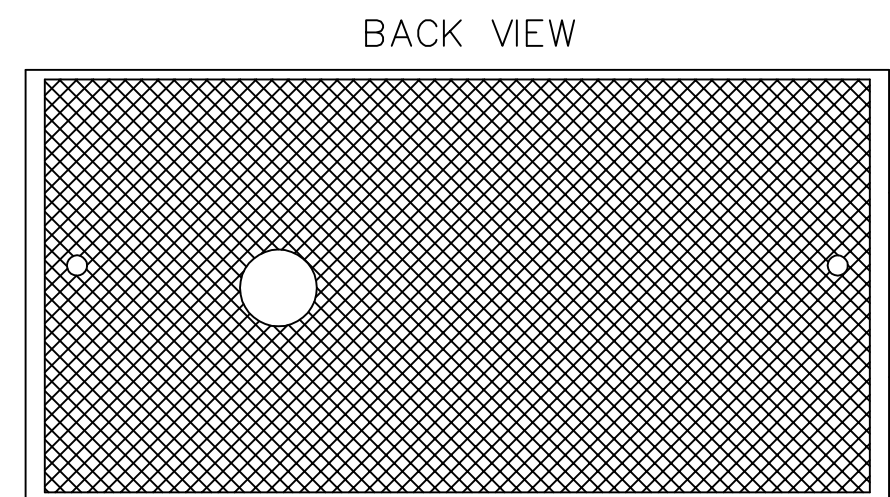
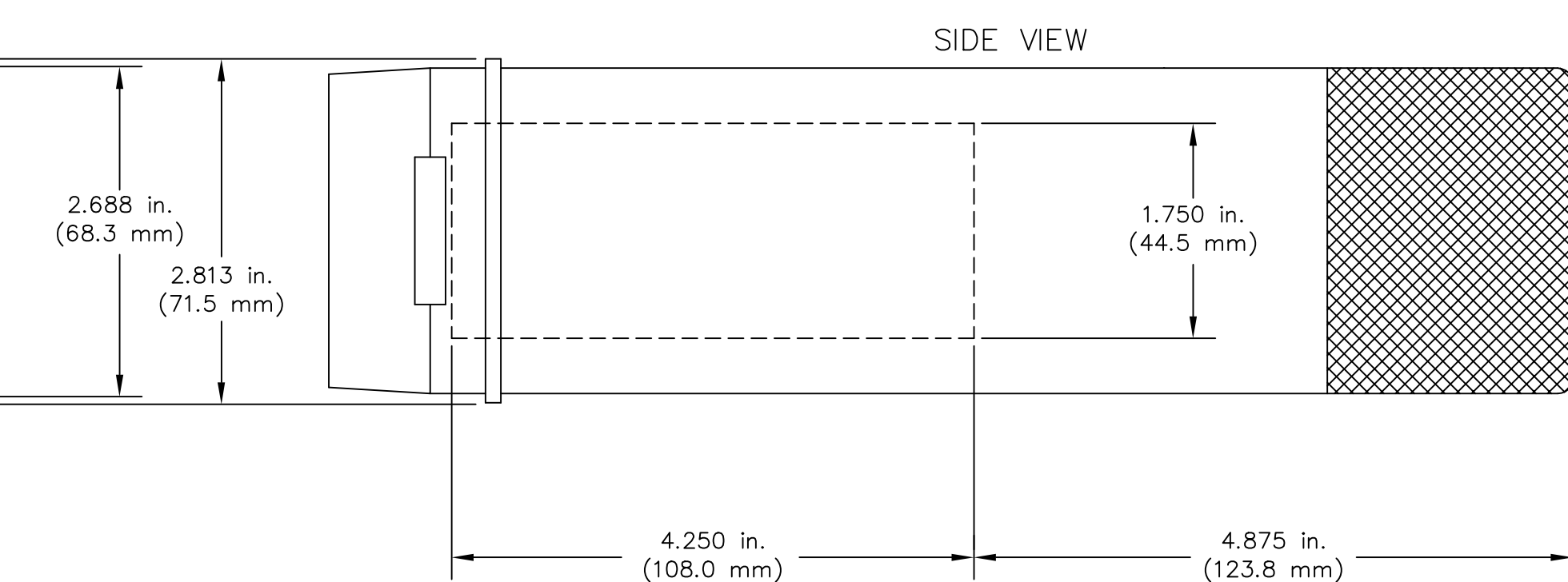
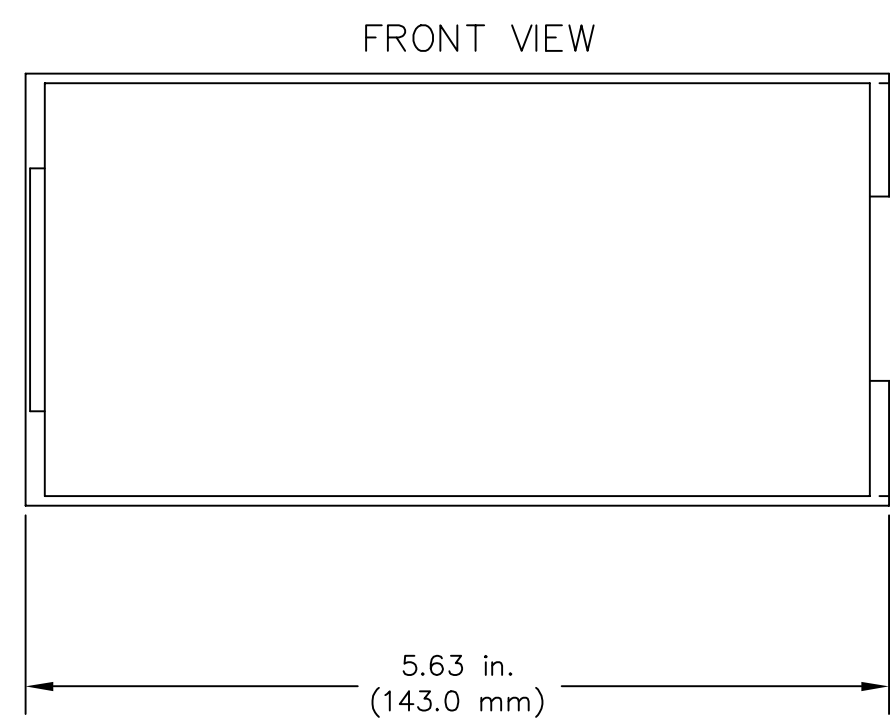
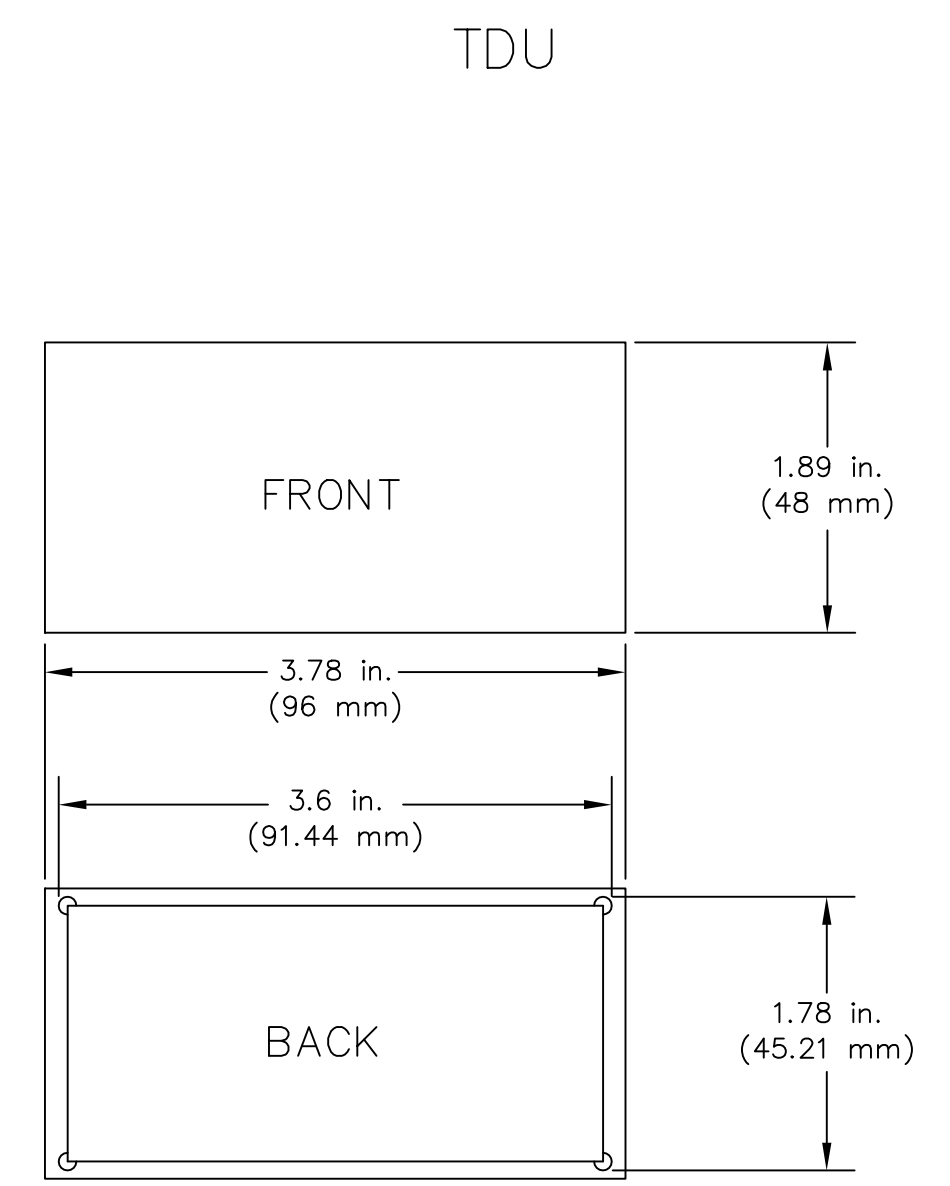
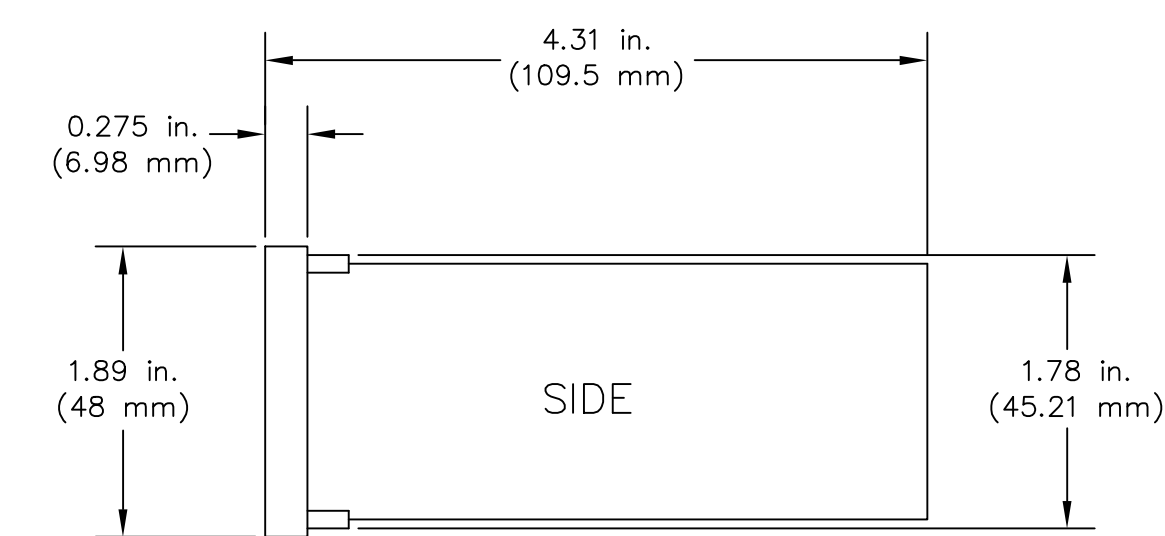


SCREW
MAY BE REMOVED
TO ACCESS REAR PANEL
ONE ON EACH SIDE



SCREW DOWN FOR
MOUNTING IN
CABINET



NEMA 4 ENCLOSURE
FOR TDU
MTS P/N 251188

Temposonics® sensors are a registered trademark of MTS Systems Corporation
©1998 MTS Systems Corporation

A	12/02/98	3720	
REV.	DATE	ECO #	
TITLE			
TDU AND NEMA 4 ENCLOSURE			
DWG NO.	901020	SHEET 1 OF 1	REV A