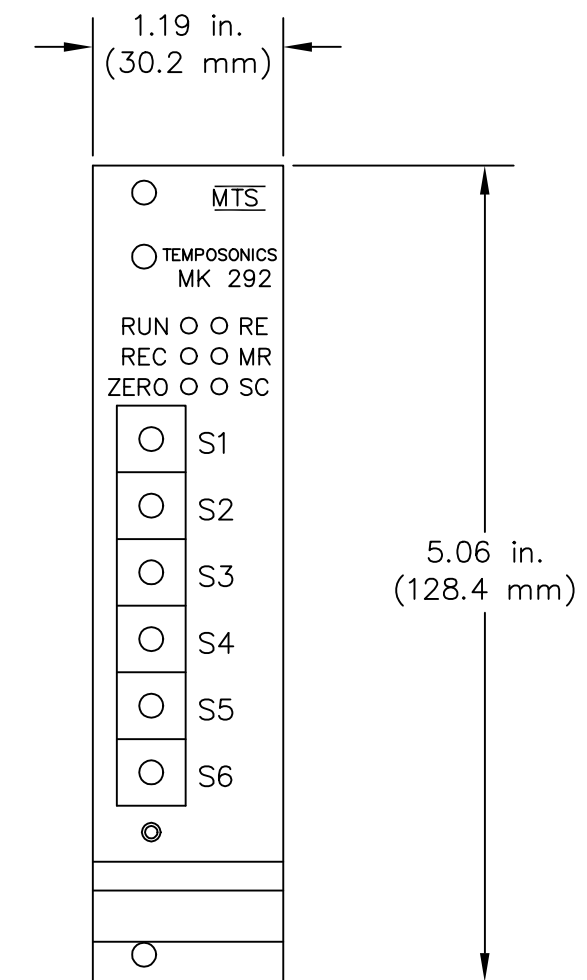
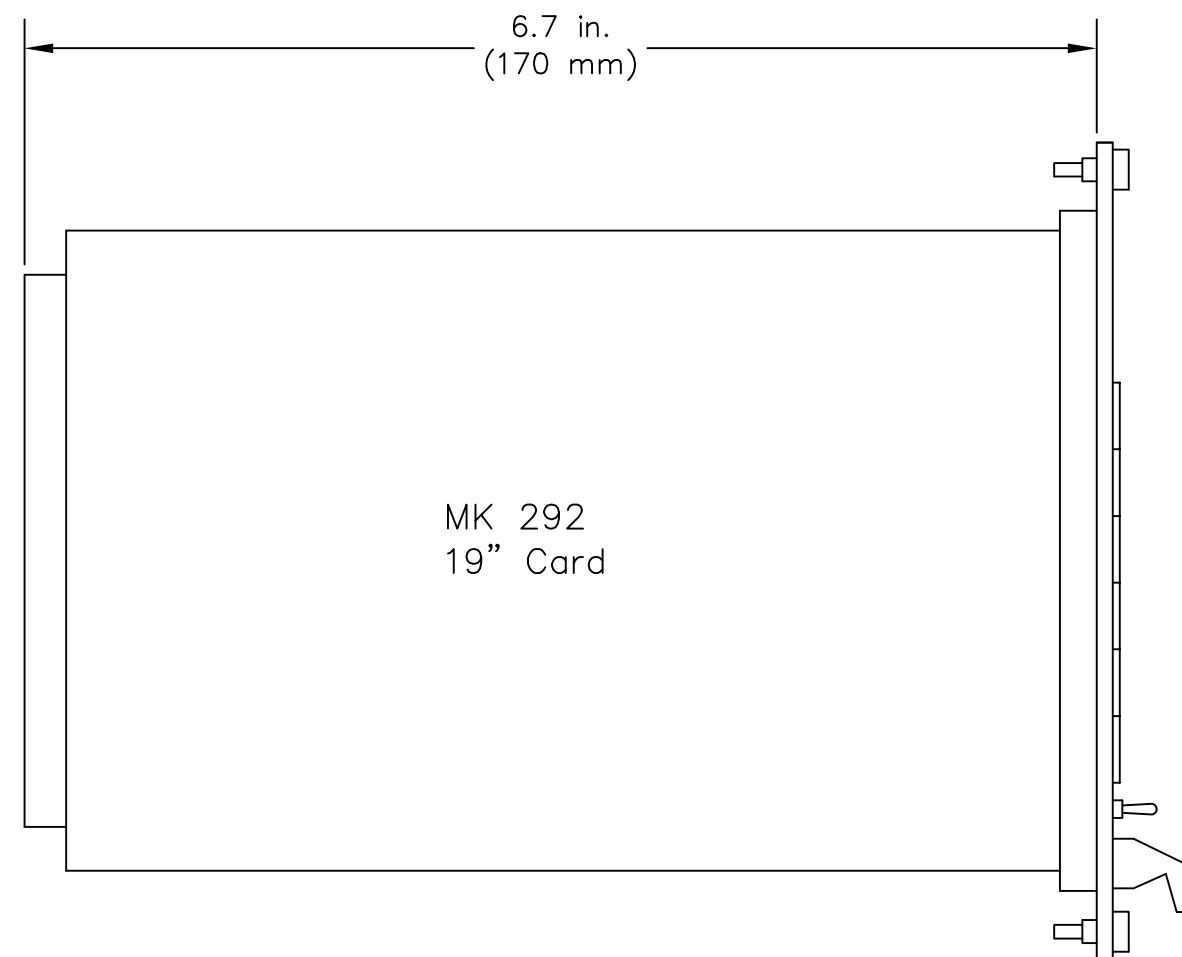
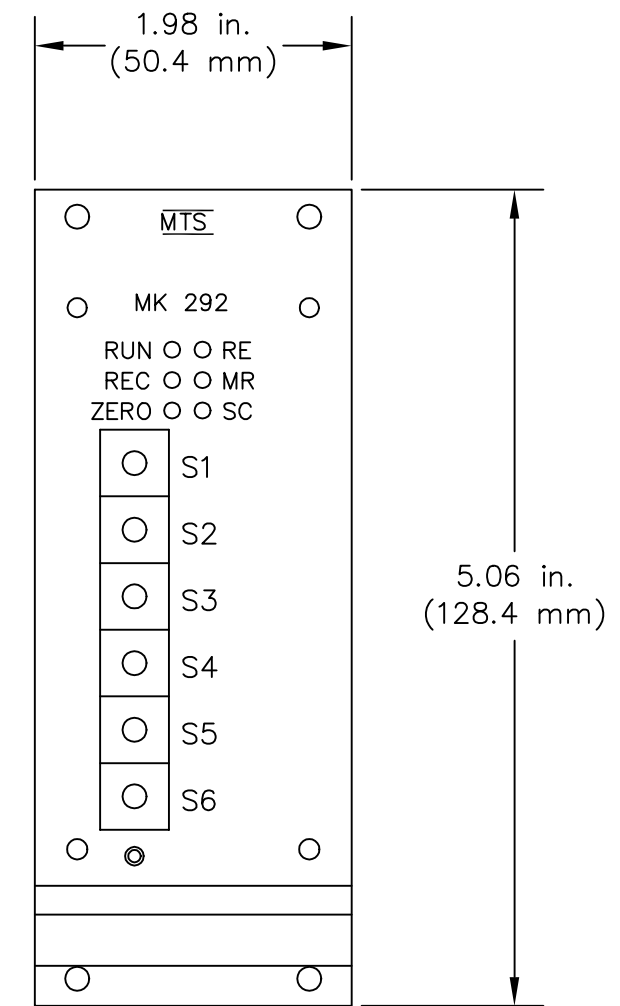
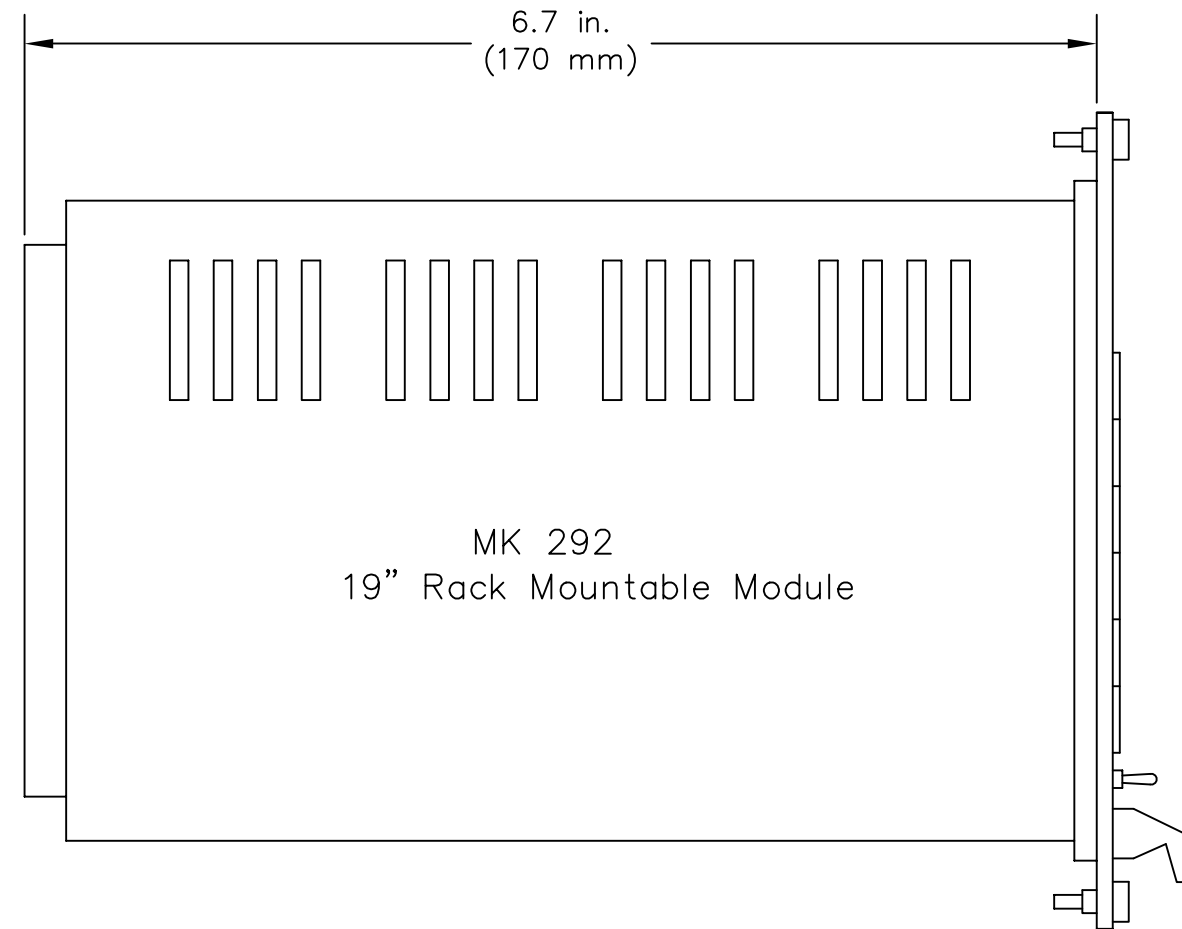


MK 292 MODULE

Temposonics® sensors are a registered trademark of MTS Systems Corporation
 © 1998 MTS Systems Corporation

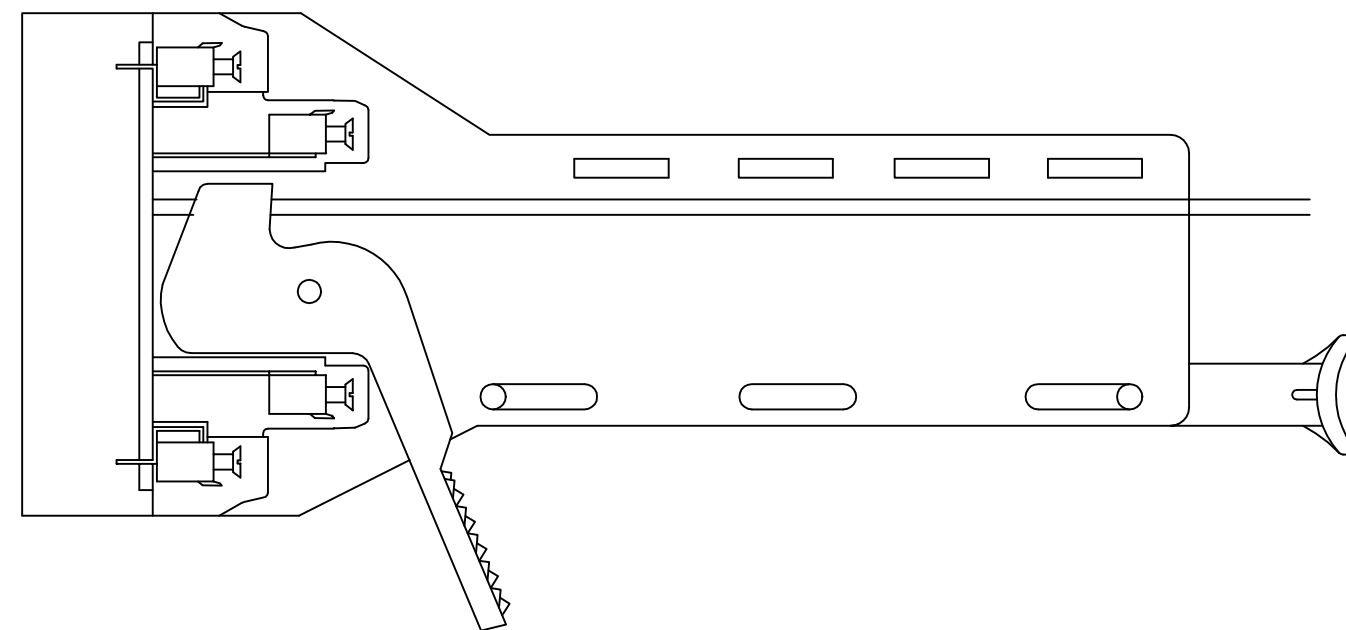
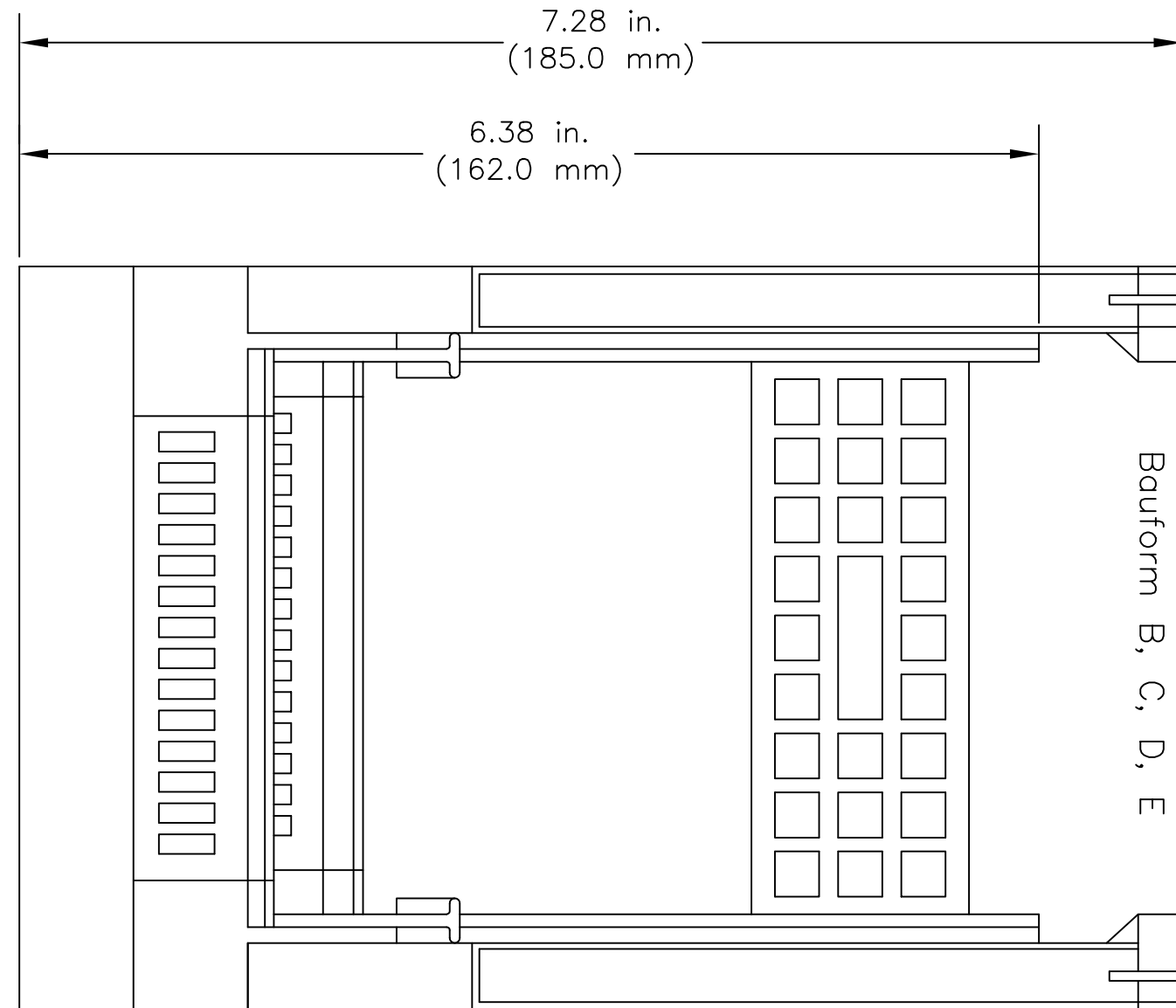
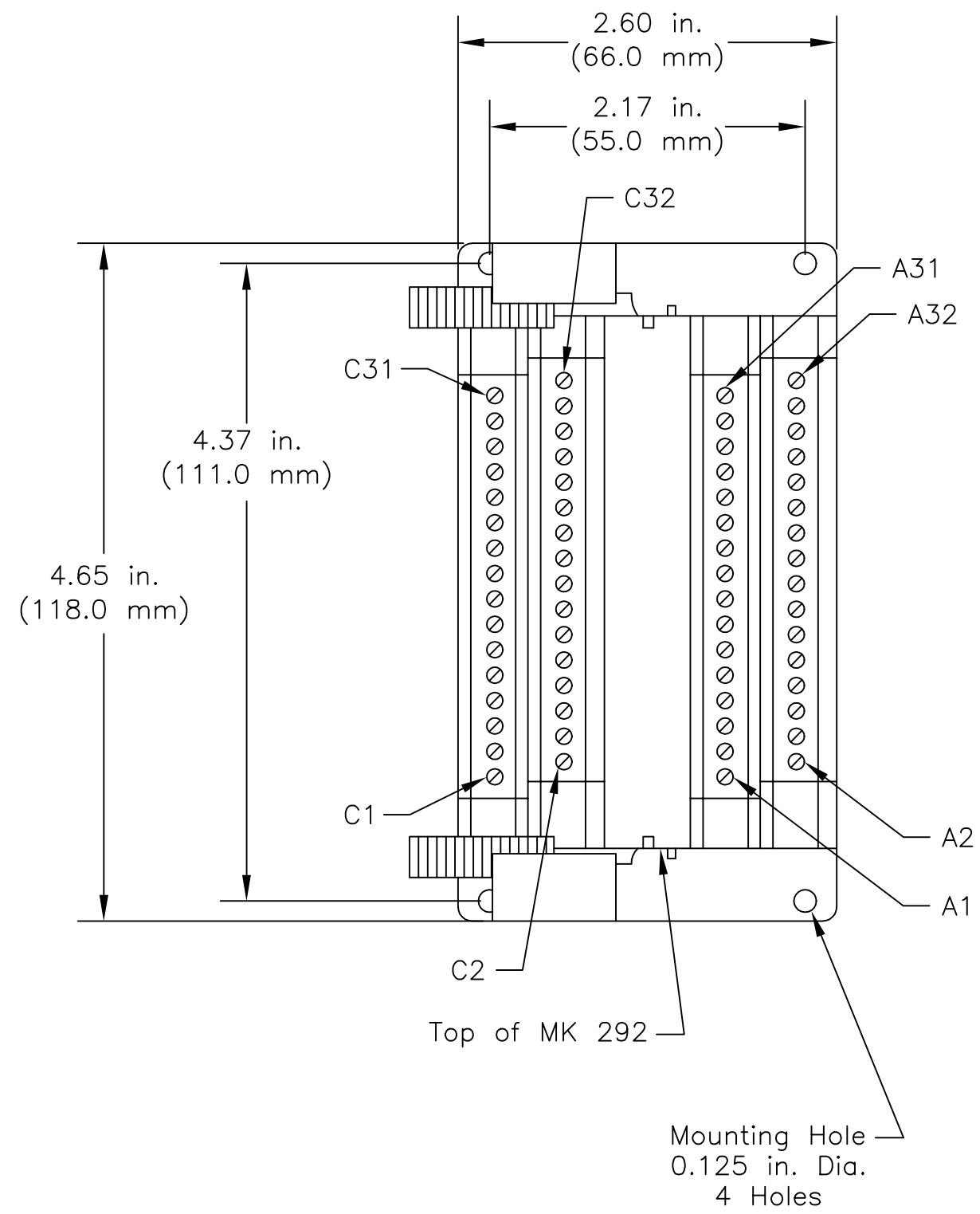


C	8/4/99	3856	ADD NOTE FOR CARD ORIENTATION
B	05/04/99	3838	ADD TERMINAL DESIGNATORS
A	12/02/98	3720	INITIAL RELEASE
REV.	DATE	ECO #	

TITLE			
MK 292 MODULE			
DWG NO.	901019	SHEET 1 OF 2	REV C

MK 292 MODULE

Temposonics® sensors are a registered trademark of MTS Systems Corporation
 ©1998 MTS Systems Corporation



MK292 Euro-Card Holder MTS P/N 370292,
 Euro-Card Holder for use with board version MK292 only.

REV.	DATE	ECO #
TITLE		
MK 292 MODULE		
DWG NO.	901019	SHEET 2 OF 2 REV C