

Level Plus®

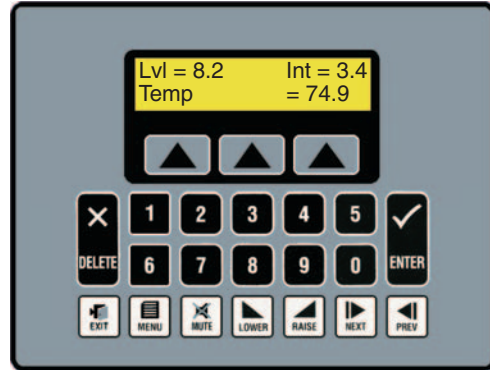
Magnetostrictive Level Sensors



LCD Operator Interface Terminal
Stand Alone Master for DDA

550916 D

Instruction Sheet



LCD Operator Interface Terminal

Features

- Displays level, interface and temperature on one screen
- Diagnostic Page allows the user to check gauge function status
- 2 line X 20 character Liquid Crystal Display (LCD) with LED back light

Applications

- Tank-side indication
- Stand-alone monitoring
- Panel mount or NEMA enclosure (optional)

Markets

- Petroleum/Petrochemical
- Propane/Terminals
- Biotech/Pharmaceutical
- Food and Beverage
- Municipalities/Utilities

Stand Alone master for DDA

The Model CLO1 LCD Operator Interface Terminal provides reliability in displaying Level Plus data. The CLO1 displays the level, interface and temperature of the specific Level-Plus sensor it is addressed for. The diagnostic screen displays trigger levels and error flags which can assist in pinpointing possible problems. The front keypad is used to select a specific address for easy and fast set up.

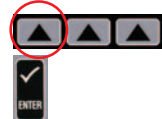
Buttons, screens and what they do

Address Key:



- Press this key to display or change the address.
- Press the appropriate numbers or use the raise and lower keys to scroll to a new address. Then, press Enter to program the new address.
- The level, interface and temperature will display (factory default = 192-DDA)

Version Key:



- Press this key to display the software revision.
- Press any key to return to the data screen.

Previous and Next Buttons:



- Use the Prev and Next keys to toggle between the data and diagnostic screens.

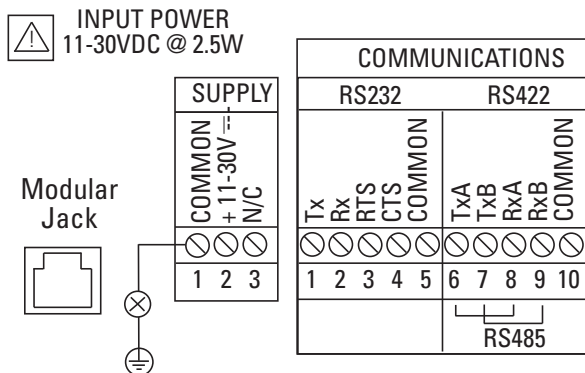
Parameter	Specification
Temperature:	32 - 104 °F (0 - 40 °C)
Power:	11 - 30 Vdc at 2.5 W
Agency Approvals:	For use in hazardous locations: Class I, Division 2, Group A, B, C and D Class II, Division 2, Groups F and G Class III, Division 2



All specifications are subject to change. Please contact MTS for specifications that are critical to your needs. For more information, go to www.mtssensors.com.

Ordering and Connection information

Wiring

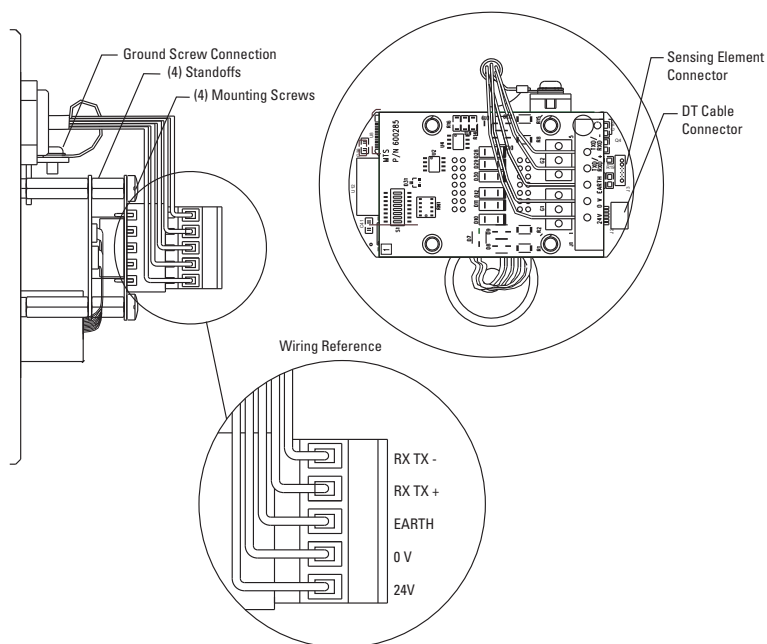


Note:

Refer to installation drawing, part number 650838 for details on I.S. wiring.

Typical Wiring Chart:

MTS Level Gauge	CL01
RX TX -	RXB/TXB
RX TX +	RXA/TXA
Earth Gnd	Earth Gnd
0 V PWR	Common
24 V PWR	+ 11 - 30V



Ordering information

Ordering Information

MTS CL01 DDA Master Part Number: 253023-1

MTS CL01 DDA Slave Part Number: 253023-2



Part Number: 07-04 550916 Revision D

Level Plus and MTS are registered trademarks of MTS Systems Corporation. All other trademarks are the property of their respective owners.

All Level Plus sensors are covered by US patent number 5,545,984. Additional patents are pending. Printed in USA. Copyright © 2004 MTS Systems Corporation. All Rights Reserved.



UNITED STATES
MTS Systems Corporation
Sensors Division
3001 Sheldon Drive
Cary, NC 27513
Tel: 800-457-6620
Fax: 919-677-2545
800-943-1145
www.mtssensors.com
level@mtssensors.com

GERMANY
MTS Sensor Technologie
GmbH & Co. KG
Auf dem Schüffel 9
D - 58513 Lüdenscheid
Tel: +49 / 23 51 / 95 87-0
Fax: +49 / 23 51 / 56 491
info@mtssensor.de
www.mtssensor.de

JAPAN
MTS Systems Corporation
Sensors Technology
Ushikubo Bldg.
737 Aihara-cho, Machida-shi
Tokyo 194-0211, Japan
Tel: + 81 (42) 775-3838
Fax: + 81 (42) 775-5512
www.mtssensor.co.jp