

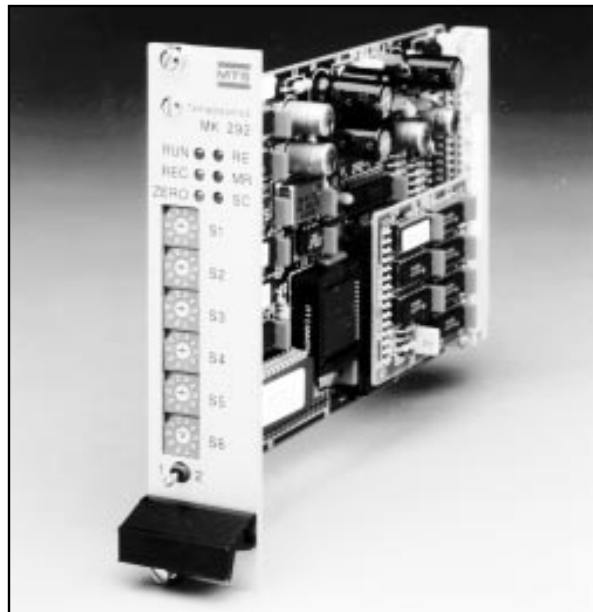


TEMPOSONICS®

Temposonics® Digital Output Module Model MK292

Features:

- **Microprocessor-controlled**
- **External synchronization**
- **Output selections:**
 - *BCD*
 - *Natural Binary*
 - *Gray Code*
- **Program settings:**
 - *Zero point*
 - *Resolution*
 - *Active stroke length*
 - *Output orientation*
- **Error feedback**
- **Noise rejection**
- **Data ready/Data hold**
- **Master/Slave opera-**



The Temposonics MK292 Digital Output Module provides an interface between a Temposonics position sensor and a system controller. The selection of displacement outputs from the MK292 allows almost universal compatibility; they include: BCD, Binary, and Gray Code.

'DATA READY' and 'ERROR' feedback, as well as logic inputs (DATA HOLD, EXTERNAL START, MASTER/SLAVE, and TRI-STATE) are standard with the MK292. If required, an optional sub-board assem-

bly provides an analog output (range: 0 to 10 Vdc or 10 to 0 Vdc).

Two mounting configurations are available (see above photograph). Both are designed for installation in a standard 19 inch mounting rack. The module version (left) provides a thermal shield against other electronic components and mechanical protection.

Connections to the MK292 from the position sensor and other sources are made via a 64-pin DIN edge connector (an optional 64-pin

card holder is also available).

The format of the input signal from the Temposonics position sensor, and attainable system resolution, is determined by the type of position sensor selected:

1) Temposonics II

- *w / Digital Personality Module*
 - Output: Pulse-width modulated
 - Resolution: 0.0002 in. (0.005 mm)

- *w / RS422 Personality Module*
 - Output: Start/Stop
 - Resolution: 0.002 in. (0.05 mm)

2) Temposonics LP

- Output: Start/Stop
- Resolution: 0.002 in. (0.05 mm)

Specifications

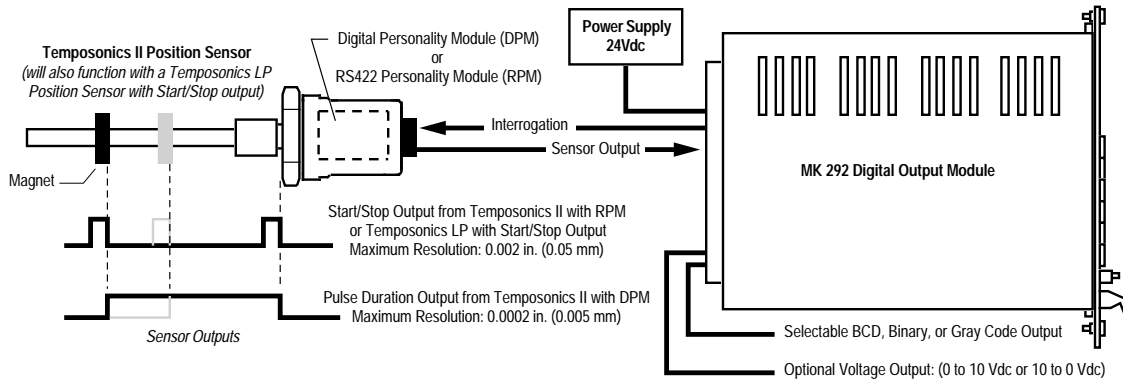
Temposonics Digital Output Module (Model MK292)

Parameter	Specifications
Supply Voltage:	• 24 Vdc (- 15%/+ 20%)
Input Requirement:	• Temposonics II with integrated Digital Personality Module (DPM) -- Pulse-width modulated (PWM) • Temposonics II with integrated RS422 Personality Module (RPM) -- Start/Stop output • Temposonics LP with Start/Stop output
Output Format:	• Selectable: BCD, Binary, or Gray Code; 24 bits data output and 1 parity bit
Resolution:	• 0.002 in. (0.05 mm) when using Temposonics II position sensor with RS422 Personality Module (RPM) or Temposonics LP position sensor • 0.0002 in. (0.005 mm) when using Temposonics II position sensor with Digital Personality Module (DPM)
Update Frequency:	• Stroke and resolution dependent
Optional Voltage Output:	• 0 to 10 Vdc or 10 to 0 Vdc (with additional sub-print AK 294)
Programming Parameters:	• Zero, Resolution, Stroke Length, Measuring Direction
Connection:	• 64-pin edge connector (DIN 41612); Optional 64-pin card holder available (Part No. 370292)
Cable Requirement:	• 8 x 24 AWG, twisted pairs, shielded (Belden 8104 recommended)
Maximum Cable Length:	• 500 meters
Dimensions:	• 19 in. standard European board (Front panel: 30.2 x 128.4 mm) • 19 in. module for rack mounting (Front panel: 50.4 x 128.4 mm)

Specifications are subject to change without notice. Contact MTS for verification of specifications critical to your needs.

* Measurements are independent Best Straight Line (BSL)

System Configuration



For more detailed literature on Temposonics products, or to talk with an MTS representative, call toll free.

1-800-633-7609



MTS Systems Corporation
Sensors Division
3001 Sheldon Drive
Cary, North Carolina 27513
Telephone: 800-633-7609
Fax: 919-677-0200

MTS Sensor Technologie GmbH and Co.
Auf dem Schüffel 9
D-58513 Ludensheid
Federal Republic of Germany
Telephone: +49-23-5195870
Fax: +49-23-5156491

MTS Sensors Technology Corporation
Lions Plaza 805
1-1-8 Shin-Yokohama
Kohoku-ku, Yokohama 222 Japan
Telephone: +8145-475-2401
Fax: +8145-475-0641

Temposonics is a registered trademark of MTS Systems Corporation
Temposonics products are covered by US patents 3,898,555; 4,726,226; 4,721,902; 4,298,861; 4,952,873 and additional patents pending.
03/97 550451 REVISION B DAP Printed in USA ©COPYRIGHT MTS Systems Corporation, 19947