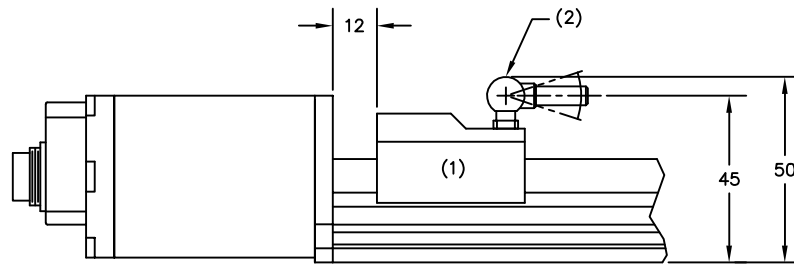
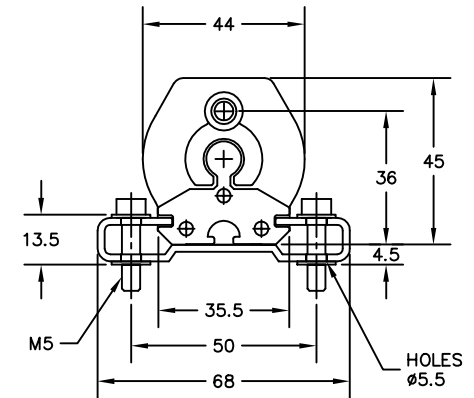
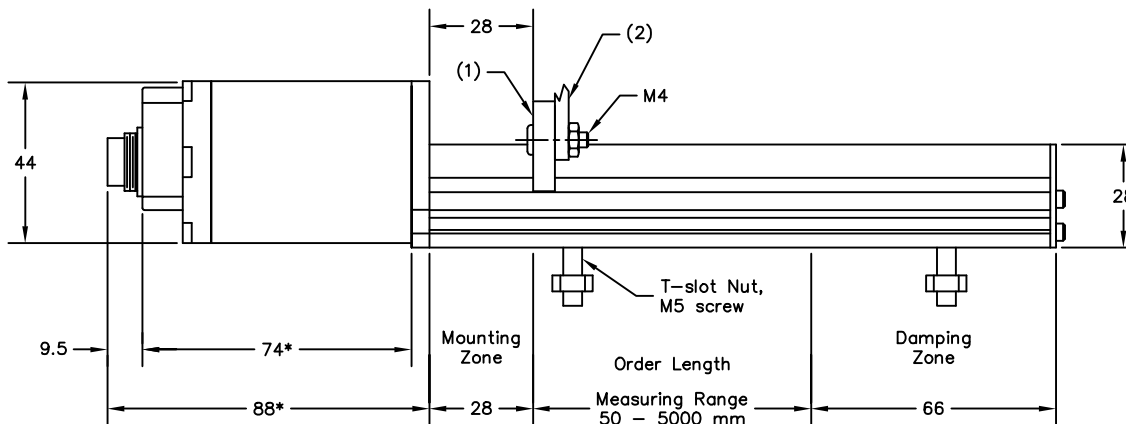


Type PB-V (1) Captive sliding magnet (2) Ball jointed arm, M5 thread

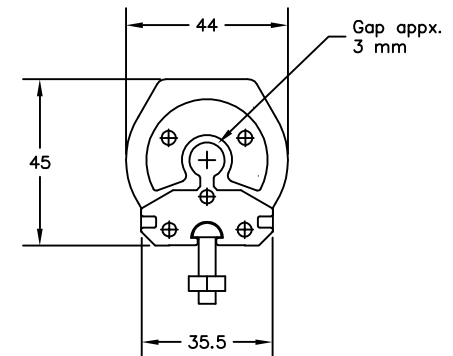


Type PB-S (1) Captive sliding magnet (2) Ball jointed arm, M5 thread

Notes:
 *) 10mm longer for sensors above 3500mm measuring range



Type PB-M (1) Floating magnet (2) Non-magnetic mounting plate and screws



| | | |
|--------------|----------|--------------------|
| A | 12/02/98 | 3720 |
| REV. | DATE | ECO # |
| TITLE | | |
| TEMPO III PB | | |
| DWG NO. | 901016 | SHEET 1 OF 1 REV A |