

Data Sheet

E-Series ET SSI

Magnetostrictive Linear Position Sensors

- High operating temperature
- Compact sensor housing
- ATEX/UK Ex/IECEX/CEC/NEC/CCC certified



MEASURING TECHNOLOGY

The absolute, linear position sensors provided by Temposonics rely on the company's proprietary magnetostrictive technology, which can determine position with a high level of precision and robustness. Each Temposonics® position sensor consists of a ferromagnetic waveguide, a position magnet, a strain pulse converter and a supporting electronics. The magnet, connected to the object in motion in the application, generates a magnetic field at its location on the waveguide. A short current pulse is applied to the waveguide. This creates a momentary radial magnetic field and torsional strain on the waveguide. The momentary interaction of the magnetic fields releases a torsional strain pulse that propagates the length of the waveguide. When the ultrasonic wave reaches the beginning of the waveguide it is converted into an electrical signal. Since the speed of the ultrasonic wave in the waveguide is precisely known, the time required to receive the return signal can be converted into a linear position measurement with both high accuracy and repeatability.

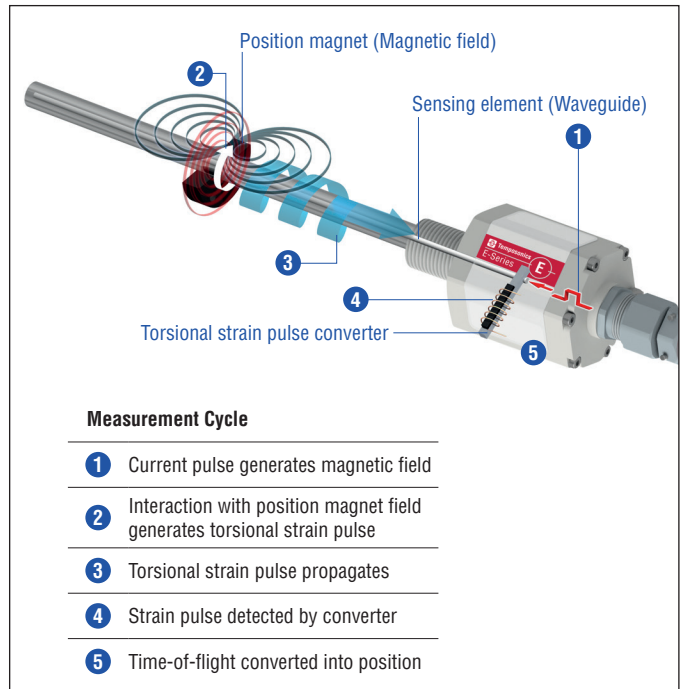


Fig. 1: Time-of-flight based magnetostrictive position sensing principle

ET SENSOR

Robust, non-contact and wear free, the Temposonics linear position sensors provide best durability and accurate position measurement solutions in harsh industrial environments. The position measurement accuracy is tightly controlled by the quality of the waveguide which is manufactured by Temposonics. The position magnet is mounted on the moving machine part and travels contactlessly over the sensor rod/sensor profile with the built-in waveguide.

ET sensor specifications:

- High operating temperature up to +90 °C (+194 °F)
- Compact sensor housing
- ATEX/UK Ex/IECEX/CEC/NEC/CCC certified
- Configurable via programming kit

Certifications

- Ⓜ II 3G Ex nC IIC T4 Gc
- Ⓜ II 3D Ex tc IIIC T130 °C Dc
- Ⓜ Class I/II/III Div 2 T4 ABCDFG
Class I Zone 2 T4 IIC
Zone 22 AEx tc T4 IIIC Dc
Ex tc IIIC T130°C Dc IP66/IP68
- Ⓜ Ex nC IIC T4 Gc
Ex tD A22 IP66/IP68 T130°C
-40 °C ≤ Ta ≤ 90 °C; Type: 4X; IP66/IP68

Fig. 2: Certification of Temposonics® ET (version A and E)



Fig. 3: Typical application: Metal processing

TECHNICAL DATA

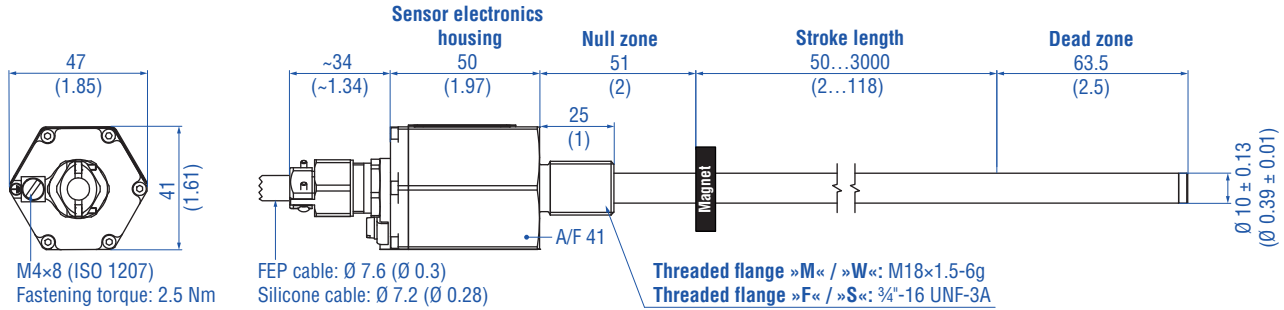
Output	
Interface	SSI (Synchronous Serial Interface) – Differential signal in SSI standard
Data format	Binary, gray
Data length	24 bit/25 bit
Measured value	Position
Measurement parameters	
Resolution	5 µm/10 µm/20 µm/40 µm/50 µm/100 µm
Cycle time	Up to 3.7 kHz, depending on stroke length
Linearity ¹	≤ ±0.02 % F.S. (minimum ±60 µm)
Repeatability	≤ ±0.005 % F.S. (minimum ±20 µm) typical
Operating conditions	
Operating temperature	–40...+90 °C (–40...+194 °F)
Humidity	90 % relative humidity, no condensation
Ingress protection	With FEP cable (part no. 530 112): IP66 With silicone cable (part no. 530 113): IP68 (2 bar (29 psi) @ 30 min)
Shock test	100 g (single shock), IEC standard 60068-2-27
Vibration test	Rod: 20 g/10...2000 Hz, IEC standard 60068-2-6 (excluding resonant frequencies) Profile: 15 g/10...2000 Hz, IEC standard 60068-2-6 (excluding resonant frequencies)
EMC test	Electromagnetic emission according to EN 61000-6-4 Electromagnetic immunity according to EN 61000-6-2 The ET sensors fulfill the requirements of the EMC directives 2014/30/EU, UKSI 2016 No. 1091 and TR CU 020/2011
Operating pressure (rod version only)	Up to 350 bar (5076 psi)
Magnet movement velocity ²	Any
Design/Material	
Sensor electronics housing/flange	Stainless steel 1.4305 (AISI 303); option: Stainless steel 1.4404 (AISI 316L)
Sensor rod	Stainless steel 1.4306 (AISI 304L); option: Stainless steel 1.4404 (AISI 316L)
Sensor profile	Aluminum
RoHS compliance	The used materials are compliant with the requirements of EU directive 2011/65/EU and EU regulation 2015/863 as well as UKSI 2012 No. 3032
Stroke length	50...3000 mm (2...118 in.)
Mechanical mounting	
Mounting position	Any
Mounting instruction	Please consult the technical drawings on page 4 and the operation manual (document number: 551889)
Electrical connection	
Connection type	Cable outlet
Operating voltage	+24 VDC (–15/+20 %)
Ripple	≤ 0.28 V _{pp}
Current consumption	90 mA typical, dependent on stroke length
Dielectric strength	700 VDC (DC ground to machine ground)
Polarity protection	Up to –30 VDC
Overvoltage protection	Up to 36 VDC

1/ With position magnet # 251 416-2

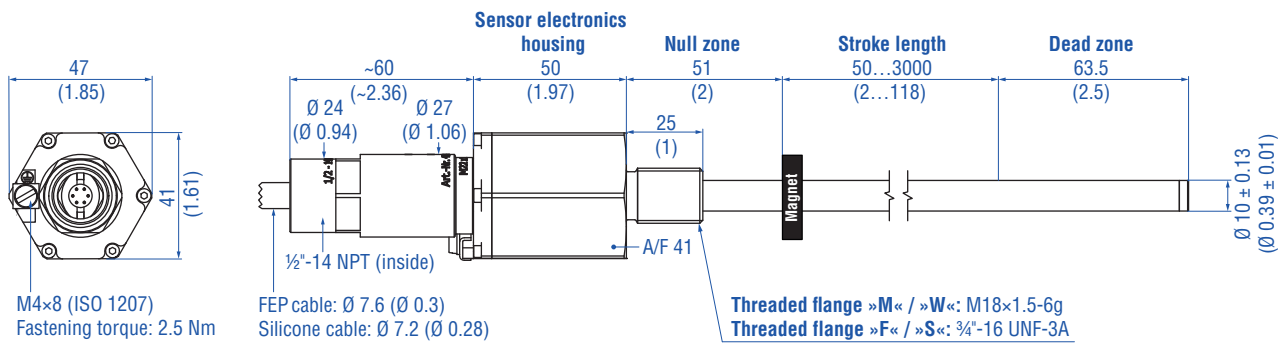
2/ If there is contact between the moving magnet including the magnet holder and the sensor rod, make sure that the maximal speed of the moving magnet is ≤ 1 m/s (Ex requirement due to ESD [Electro Static Discharge])

TECHNICAL DRAWING

ET-F/-M/-S/-W, example: Version A/N



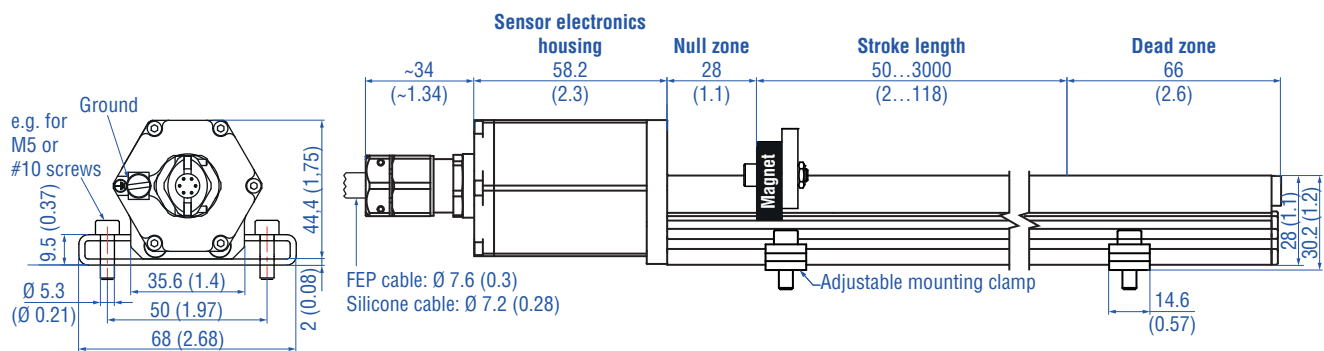
ET-F/-M/-S/-W, example: Version E



Controlling design dimensions are in millimeters and measurements in () are in inches

Fig. 4: Temposonics® ET with ring magnet

ET-P, example: Version A/N



Controlling design dimensions are in millimeters and measurements in () are in inches

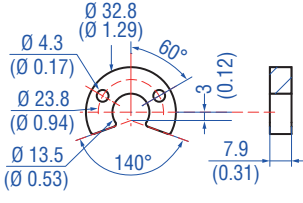
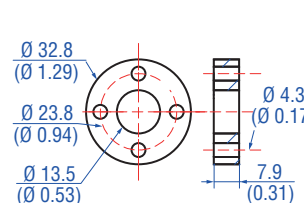
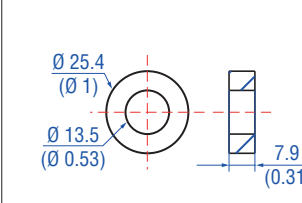
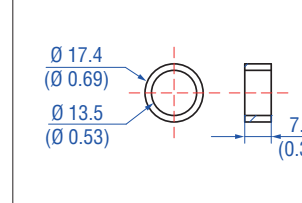
Fig. 5: Temposonics® ET-P with U-magnet

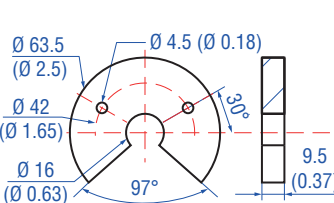
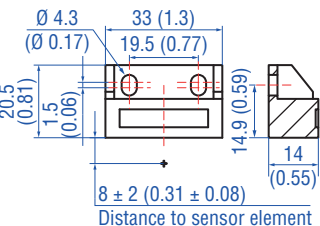
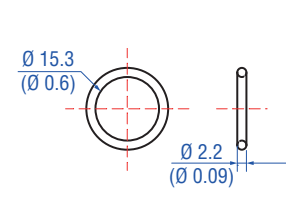
CONNECTOR WIRING

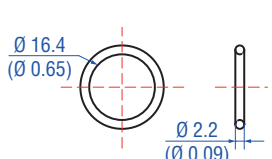
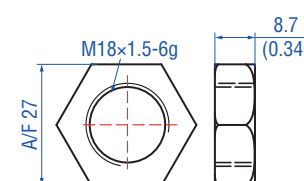
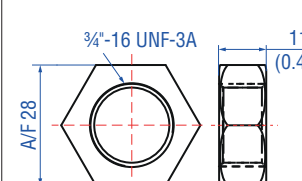
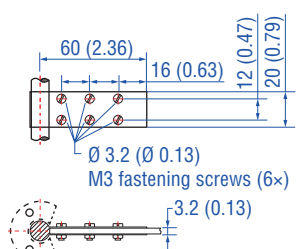
TXX/VXX		
Signal + power supply		
Cable	Color	Function
	GY	Data (-)
	PK	Data (+)
	YE	Clock (+)
	GN	Clock (-)
	BN	+24 VDC (-15/+20 %)
	WH	DC Ground (0 V)

Fig. 6: Connector wiring TXX/VXX

FREQUENTLY ORDERED ACCESSORIES FOR ET-F/-W/-M/-S – Additional options available in our [Accessories Catalog](#) 551444

Position magnets			
			
U-magnet OD33 Part no. 251 416-2	Ring magnet OD33 Part no. 201 542-2	Ring magnet OD25.4 Part no. 400 533	Ring magnet OD17.4 Part no. 401 032
Material: PA ferrite GF20 Weight: Approx. 11 g Surface pressure: Max. 40 N/mm ² Fastening torque for M4 screws: 1 Nm Operating temperature: -40...+105 °C (-40...+221 °F)	Material: PA ferrite GF20 Weight: Approx. 14 g Surface pressure: Max. 40 N/mm ² Fastening torque for M4 screws: 1 Nm Operating temperature: -40...+105 °C (-40...+221 °F)	Material: PA ferrite Weight: Approx. 10 g Surface pressure: Max. 40 N/mm ² Operating temperature: -40...+105 °C (-40...+221 °F)	Material: PA neobond Weight: Approx. 5 g Surface pressure: Max. 20 N/mm ² Operating temperature: -40...+105 °C (-40...+221 °F)

Position magnets	Magnet spacer	O-ring	
			
U-magnet OD63.5 Part no. 201 553	Block magnet L Part no. 403 448	O-ring for threaded flange M18×1.5-6g Part no. 401 133	
Material: PA 66-GF30, magnets compound-filled Weight: Approx. 26 g Surface pressure: 20 N/mm ² Fastening torque for M4 screws: 1 Nm Operating temperature: -40...+75 °C (-40...+167 °F)	Material: Plastic carrier with hard ferrite magnet Weight: Approx. 20 g Fastening torque for M4 screws: 1 Nm Operating temperature: -40...+75 °C (-40...+167 °F) This magnet may influence the sensor performance specifications for some applications.	Material: Aluminum Weight: Approx. 5 g Surface pressure: Max. 20 N/mm ² Fastening torque for M4 screws: 1 Nm	Material: Fluoroelastomer Durometer: 75 ± 5 Shore A Operating temperature: -40...+204 °C (-40...+400 °F)

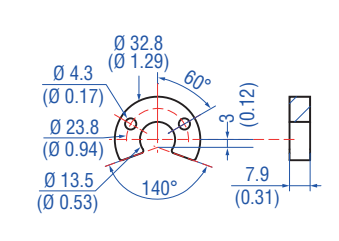
O-ring	Mounting accessories		
			
O-ring for threaded flange 3/4"-16 UNF-3A Part no. 560 315	Hex jam nut M18×1.5-6g Part no. 500 018	Hex jam nut 3/4"-16 UNF-3A Part no. 500 015	Fixing clip Part no. 561 481
Material: Fluoroelastomer Durometer: 75 ± 5 Shore A Operating temperature: -40...+204 °C (-40...+400 °F)	Material: Steel, zinc plated	Material: Steel, zinc plated	Application: Used to secure sensor rods (Ø 10 mm (Ø 0.39 in.)) when using an U-magnet or block magnet Material: Brass, non-magnetic

FREQUENTLY ORDERED ACCESSORIES FOR ET-P – Additional options available in our [Accessories Catalog](#) 551444

Position magnets

<p>Magnet slider S, joint at top Part no. 252 182</p> <p>Material: GRP, magnet hard ferrite Weight: Approx. 35 g Operating temperature: -40...+85 °C (-40...+185 °F)</p>	<p>Magnet slider V, joint at front Part no. 252 184</p> <p>Material: GRP, magnet hard ferrite Weight: Approx. 35 g Operating temperature: -40...+85 °C (-40...+185 °F)</p>	<p>Magnet slider N, longer ball-joint arm Part no. 252 183</p> <p>Material: GRP, magnet hard ferrite Weight: Approx. 35 g Operating temperature: -40...+85 °C (-40...+185 °F)</p>	<p>Magnet slider G, backlash free Part no. 253 421</p> <p>Material: GRP, magnet hard ferrite Weight: Approx. 25 g Operating temperature: -40...+85 °C (-40...+185 °F)</p>

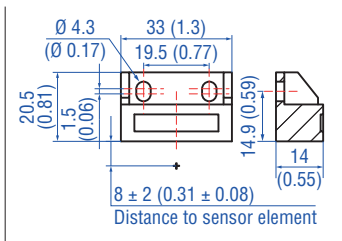
Position magnets



U-magnet OD33
Part no. 251 416-2

Material: PA ferrite GF20
Weight: Approx. 11 g
Surface pressure: Max. 40 N/mm²
Fastening torque for M4 screws: 1 Nm
Operating temperature:
-40...+105 °C (-40...+221 °F)

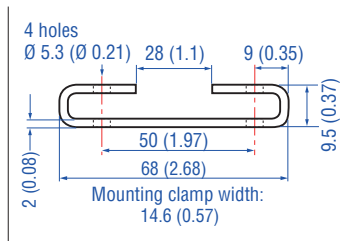
Mounting accessories



Block magnet L
Part no. 403 448

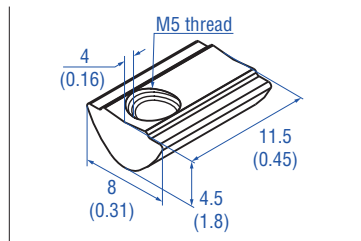
Material: Plastic carrier with hard ferrite magnet
Weight: Approx. 20 g
Fastening torque for M4 screws: 1 Nm
Operating temperature:
-40...+75 °C (-40...+167 °F)

This magnet may influence the sensor performance specifications for some applications.



Mounting clamp
Part no. 400 802

Material: Stainless steel (AISI 304)

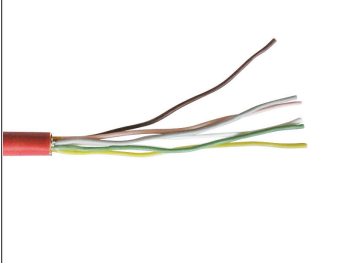
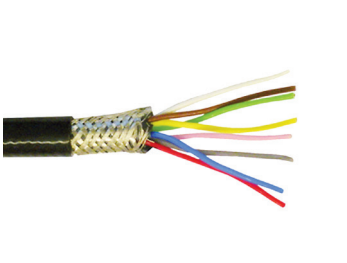


T-nut
Part no. 401 602

Fastening torque for M5 screw: 4.5 Nm

FREQUENTLY ORDERED ACCESSORIES – GENERAL – Additional options available in our [Accessories Catalog](#)  [551444](#)

Cable



<p>FEP cable Part no. 530 112</p>	<p>Silicone cable Part no. 530 113</p>
<p>Material: FEP jacket; black Features: Twisted pair, shielded, flexible, high thermal resistance, mostly oil & acid resistant Cable Ø: 7.6 mm (0.3 in.) Cross section: 4 × 2 × 0.25 mm² Bending radius: 8 – 10 × D (fixed installation) Operating temperature: -100...+180 °C (-148...+356 °F)</p>	<p>Material: Silicone jacket; red Features: Twisted pair, shielded, highly flexible, halogen free, high thermal resistance Cable Ø: 7.2 mm (0.28 in.) Cross section: 3 × 2 × 0.25 mm² Bending radius: 5 × D (fixed installation) Operating temperature: -50...+180 °C (-58...+356 °F)</p>

Programming tool (Not approved for use in hazardous environments)



Programming kit
Part no. 254 590

- Kit includes:
- 1 × interface converter box
 - 1 × power supply
 - 1 × cable (60 cm) with M12 female connector (8 pin), straight – D-sub female connector (9 pin), straight
 - 1 × cable (60 cm) with M16 female connector (7 pin), straight – D-sub female connector (9 pin), straight
 - 1 × cable (60 cm) with 6 × terminal clamp – D-sub female connector (9 pin), straight
 - 1 × USB cable

Software is available at:
www.temposonics.com

Controlling design dimensions are in millimeters and measurements in () are in inches

ORDER CODE

1	2	3	4	5	6	7	8	9	10	11	12	13	14	15	16	17	18	19	20	
E	T										1		S							
a		b	c					d			e	f	g							

a	Sensor model
E T	Rod/Profile

b	Design
ET rod-style sensor with housing and sensor rod material stainless steel 1.4404 (AISI 316L)	
F	Threaded flange ¾"-16 UNF-3A
W	Threaded flange M18×1.5-6g
ET rod-style sensor with housing material stainless steel 1.4305 (AISI 303) and sensor rod material stainless steel 1.4306 (AISI 304L)	
M	Threaded flange M18×1.5-6g
S	Threaded flange ¾"-16 UNF-3A
ET profile-style sensor with housing material stainless steel 1.4305 (AISI 303) and profile material aluminum	
P	Profile

c	Stroke length
X X X X M	0050...3000 mm
Standard stroke length (mm)	Ordering steps
50... 500 mm	5 mm
500... 750 mm	10 mm
750...1000 mm	25 mm
1000...2500 mm	50 mm
2500...3000 mm	100 mm
X X X X U	002.0...118.0 in.
Standard stroke length (in.)	Ordering steps
2... 20 in.	0.2 in.
20... 30 in.	0.5 in.
30... 40 in.	1.0 in.
40...100 in.	2.0 in.
100...118 in.	4.0 in.
Non-standard stroke lengths are available; must be encoded in 5 mm/0.1 in. increments	

d	Connection type
T X X	T01...T10 (1...10 m) XX m FEP cable (part no. 530 112) T03...T33 (3...33 ft.) XX ft. FEP cable (part no. 530 112)
V X X	V01...V10 (1...10 m) XX m silicone cable (part no. 530 113) V03...V33 (3...33 ft.) XX ft. silicone cable (part no. 530 113)
Encode in meters if using metric stroke length. Encode in feet if using US customary stroke length.	

e	Operating voltage
1	+24 VDC (-15/+20 %)

f	Version (see "Certification of Temposonics® ET (version A and E)" on page 2 for further information)
A	ATEX/UK Ex/IECEX/CEC/NEC/CCC
E	ATEX/UK Ex/IECEX/CEC/NEC/CCC with ½" NPT adapter
N	Not approved

NOTICE
Version E (section **f**) is only available with design »M« and »S« (section **b**).

g see next page!

g Output	
S (15) (16) (17) (18) (19) (20) = Synchronous Serial Interface	
Data length (box no. 15)	
1	25 bit
2	24 bit
Output format (box no. 16)	
B	Binary
G	Gray
Resolution (box no. 17)	
0	0.04 mm (40 µm)
1	0.005 mm (5 µm)
2	0.01 mm (10 µm)
3	0.05 mm (50 µm)
4	0.1 mm (100 µm)
5	0.02 mm (20 µm)
Filtering performance (box no. 18)	
1	No filter
2	Average filter 2
3	Average filter 4
4	Average filter 8
Signal options (box no. 19, 20)	
0 0	Measuring direction forward, asynchronous mode
0 1	Measuring direction reverse, asynchronous mode
0 2	Measuring direction forward, synchronous mode
0 3	Measuring direction reverse, synchronous mode

DELIVERY



ET-F/-W/-M/-S (rod sensor):

- Sensor

Accessories have to be ordered separately.

ET-P (profile sensor):

- Sensor
- 2 mounting clamps up to 1250 mm (50 in.) stroke length + 1 mounting clamp for each 500 mm (20 in.) additional stroke length

Manuals, Software & 3D Models available at:
www.temposonics.com

UNITED STATES
Temposonics, LLC
Americas & APAC Region
3001 Sheldon Drive
Cary, N.C. 27513
Phone: +1 919 677-0100
E-mail: info.us@temposonics.com

GERMANY
Temposonics
GmbH & Co. KG
EMEA Region & India
Auf dem Schüffel 9
58513 Lüdenscheid
Phone: +49 2351 9587-0
E-mail: info.de@temposonics.com

ITALY
Branch Office
Phone: +39 030 988 3819
E-mail: info.it@temposonics.com

FRANCE
Branch Office
Phone: +33 6 14 060 728
E-mail: info.fr@temposonics.com

UK
Branch Office
Phone: +44 79 21 83 05 86
E-mail: info.uk@temposonics.com

SCANDINAVIA
Branch Office
Phone: +46 70 29 91 281
E-mail: info.sca@temposonics.com

CHINA
Branch Office
Phone: +86 21 3405 7850
E-mail: info.cn@temposonics.com

JAPAN
Branch Office
Phone: +81 3 6416 1063
E-mail: info.jp@temposonics.com

Document Part Number:
551899 Revision E (EN) 05/2023



temposonics.com