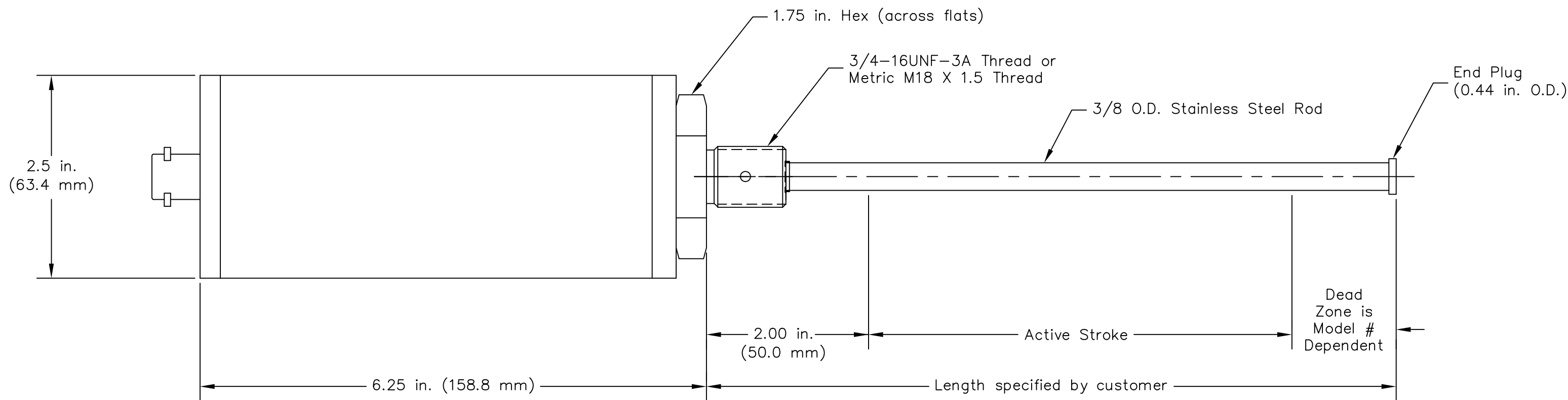


Tempo I Standard Enclosure (Style '1')



Tempo I Ruggedized Enclosures (Styles '2' & '3')

A	12/02/98	3720	
REV.	DATE	ECO #	
TITLE			
Tempo I Dimension Drawing			
DWG NO.	901017	SHEET 1 OF 1	REV A